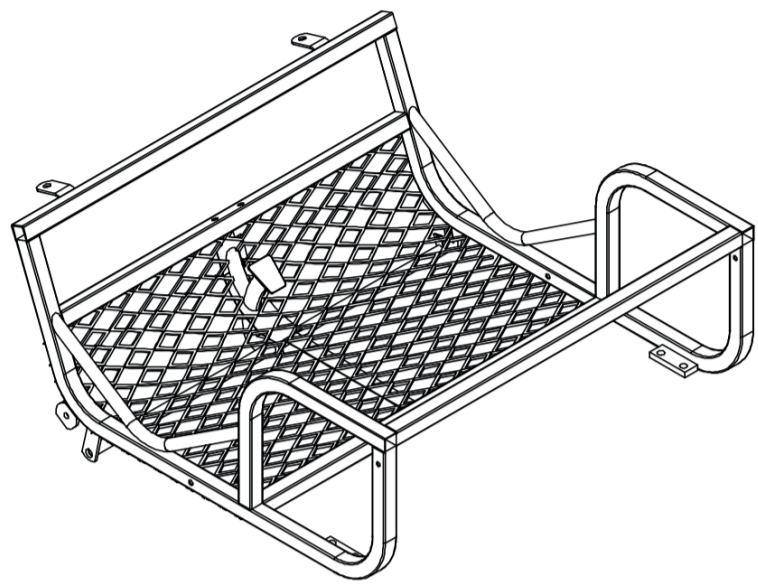
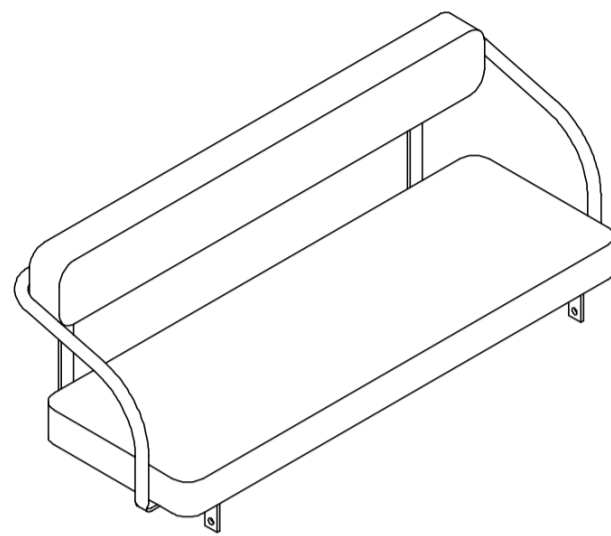


Sulky Cavalettie with brakes[®]

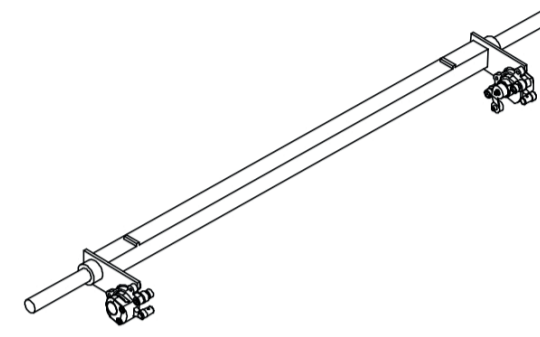
Assembly instruction



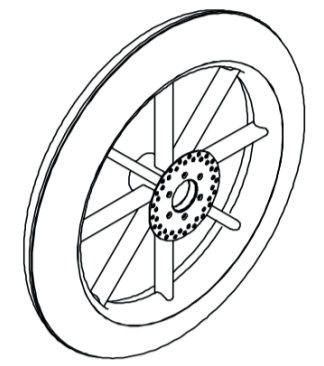
A x1



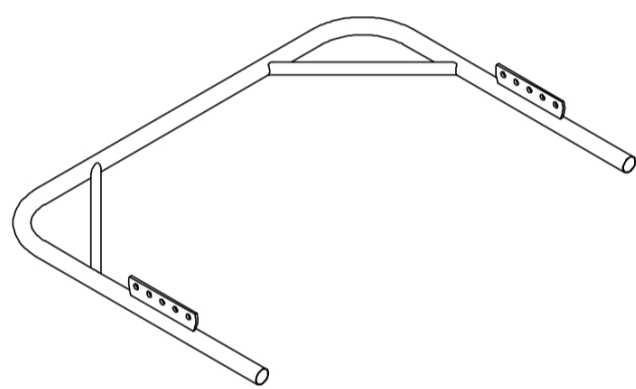
B x1



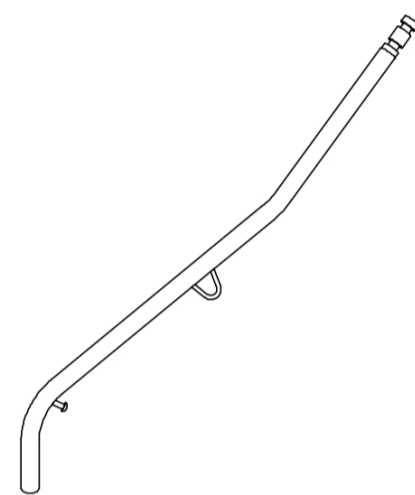
C x1



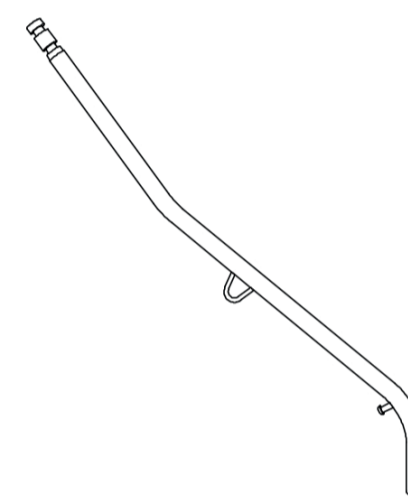
D x2



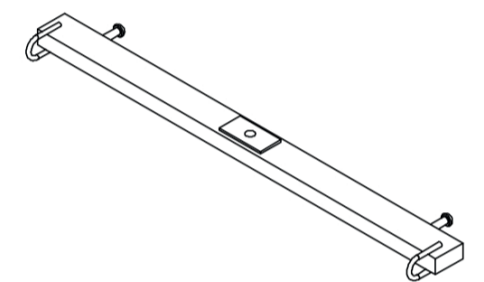
E x1



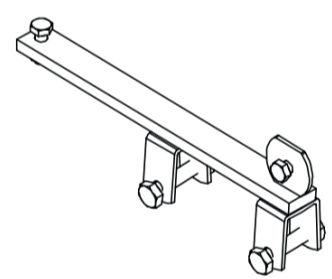
F x1



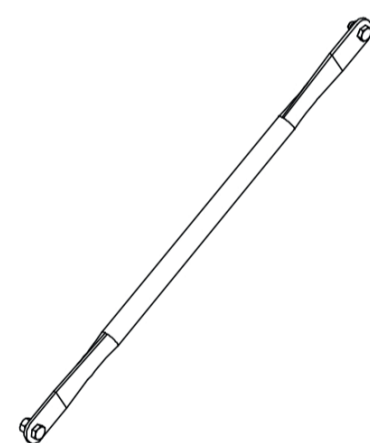
G x1



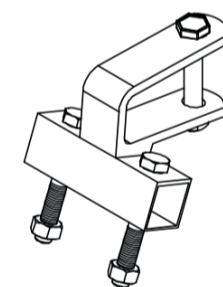
H x1



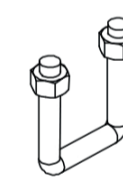
I x2



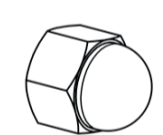
J x2



K x1

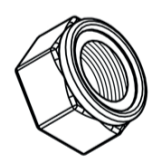


L x2



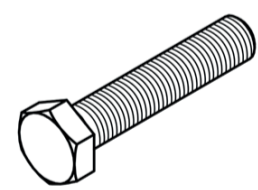
M20

M x2



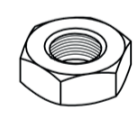
M20

N x2



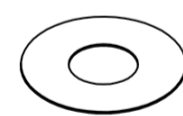
M10

O x2

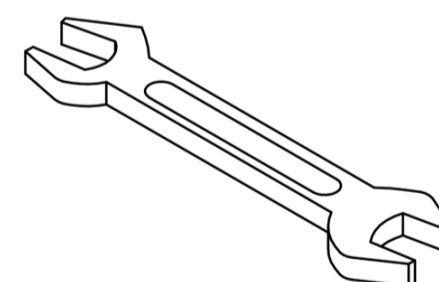


M10

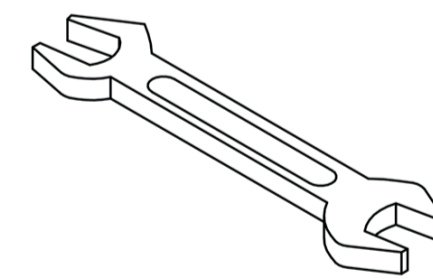
P x2



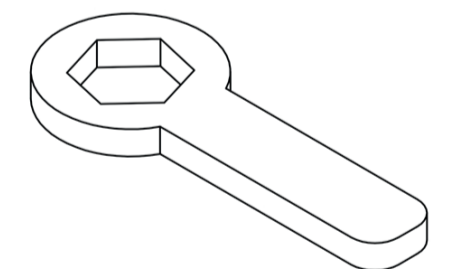
Q x2



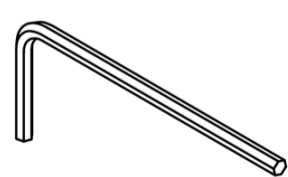
11-13



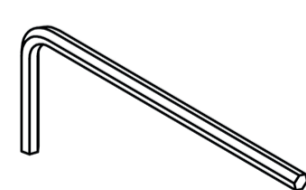
14-17



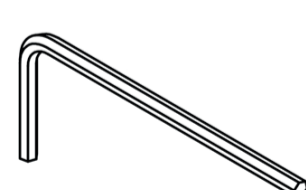
30



#2.5



#4



#5

